



高雄贸易有限公司

KAOH SIUNG TRADING SDN. BHD.



## Carton Edge Sealer

Carton Edge Sealer is a packaging machine that applies adhesive tape with a H Seal to the edge of a cardboard box so securely sealing the contents within. Carton Edge Sealer normally works together with carton sealer which helps added security and protection to your filled corrugated cases or need to seal out food contaminants.

Carton Edge Sealer is used in the fields of domestic electrical appliance, foodstuffs, general merchandise, medicine and chemical industries. Carton packaging machine save time, save money and improve efficiency.

Carton Edge Sealer always combined with the Carton Sealer or Flap Folding Carton Sealer to improve the production speed and efficiency.

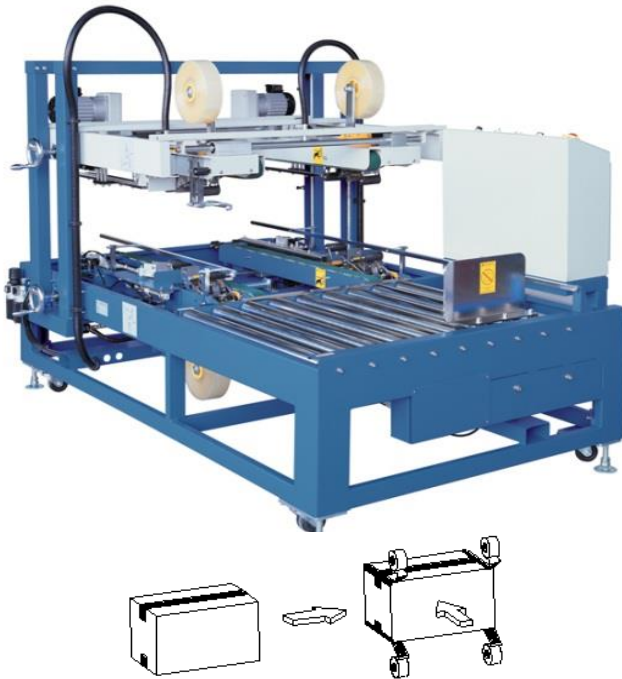
### CHS6702 Semi-Auto Carton Edge Sealer - Side Drive

CHS6702 is a Semi-automatic Carton Edge Sealer. It is a top drive and bottom drive system. After the carton sealed on the centre line of the top and bottom, and then carton will be push into CHS6702 Carton Edge Sealer to completes the "H" seal top and bottom to seal the box's top and bottom edges, four edges sealed at the same time.

CHS6702 Carton Edge Sealer always combine with the CHS6603A automatic case sealer or the CHS6603 semi-automatic case sealer. CHS6702 Case Sealing Machine is designed according to the CE standard.

CHS6702 Carton Edge Sealer are long lasting machineries built with selected high quality electronic components and therefore will require lesser maintenance.

Optional: a. Stainless Steel Housing b. 90 degree turntable for straight line production c. Safety Cover d. 60sec. Auto-stop protection e. Taping End L70±5 (mm) f. Customized specifications are available.



#### TECHNICAL DATA

| Model                                 | CHS6702                                       |
|---------------------------------------|---|
| Function                              | Top & Bottom Drive                            |
| Rated Voltage                         | 3 Phase 415V                                  |
| Tape Width                            | 3"  |
| 3" Standard Carton Dimension          | 280 - 700mmL x 250 - 600mmW<br>x 200 - 600mmH |
| Taping End                            | L60±5 (mm)                                    |
| Maximum Loading Weight                | < 20 Kg                                       |
| Sealing Speed                         | 20 M/min                                      |
| Working Table Height                  | 570-770mm                                     |
| Air Compressor (equipped by customer) | 0.5 - 0.6 Mpa                                 |
| Machine Housing                       | Iron (Powder Coated)                          |
| Machine Dimension                     | 2100mmL x 1470mmW x 1500mmH                   |
| Machine Weight                        | 400 Kg  |